



shorr | packaging corp.
shorr.com 888.885.0055

BEL 150

SEMI-AUTOMATIC TOP & BOTTOM TAPE CASE SEALER



*picture shown with
optional infeed & outfeed
table and casters

PERFORMANCE DELIVERED

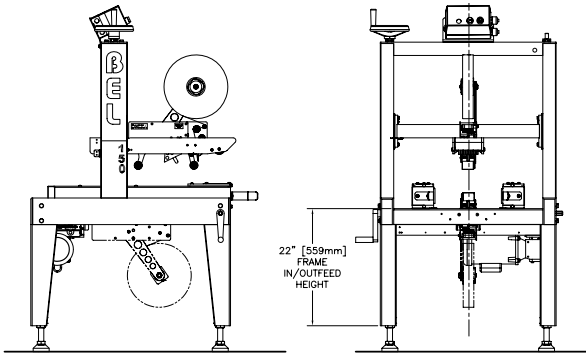
The BEL 150 is a high quality, semi-automatic tape case sealer designed for the entry level market. This versatile and compact machine can seal a wide range of case sizes and fit in operations with limited floor space. When combined with a BEL case former, it allows one operator to form, pack and seal corrugated cases in a single operation.

A main feature of the BEL 150 is the exclusive Uni-Drive System which powers both side belts with a single motor, keeping them synchronized to provide a square seal even after prolonged use. This simple and rugged design will deliver years of reliable and low maintenance performance.

STANDARD FEATURES

- » Exclusive Uni-Drive squaring technology that provide consistent and uniform seal on cases
- » Designed and built in North America with premium materials 2 point tool-less case size changeover
- » Simple and quick operation and maintenance
- » Reliable, consistent “no break” tape advance with DEKKA 22 Stainless Steel 2” tape heads

MACHINE SPECIFICATIONS

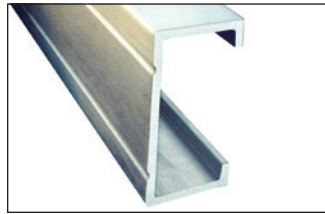


- » Machine Weight: 480 lbs
- » Machine Dimensions: 37.5"(L) x 33"(W) x 60"(H)
- » Electrical: 120 Volts, 1 PH, 60 Hz - 8 amp draw
- » Speeds: up to 30 cases per minute



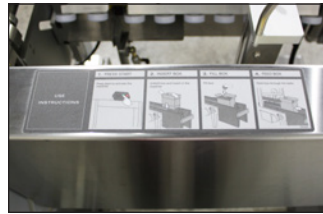
Easy Case Size Changes

Tool-less case size changes are simple and quick with change points accessible from both operational sides of the machine.



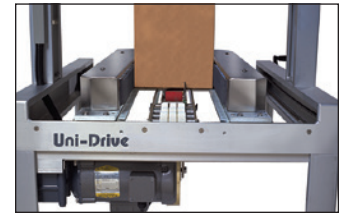
Lasting Performance

Corrosion resistant and paint free construction guards against machine wear and extends machine life.



On Machine Instructions

User-friendly pictorial guides and color coded labelling for convenient operation and size changes.



Repeatability and Reliability

Wexxar/Bel's exclusive Uni-Drive System synchronizes both side belts, eliminating case skew, ensuring a square seal even after extended periods of use.

COMPLETE SOLUTION



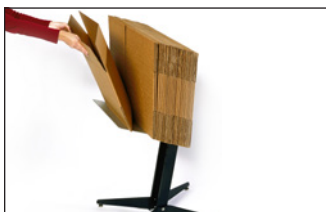
BEL 505 series

Semi-automatic case forming and packing stations folds and holds a case blank in place, providing an efficient and ergonomic solution for hand pack lines.



Accumulation Table

Ensures product is delivered continuously and ergonomically to the operator. This allows convenient and quick packing as it keeps the product in reach of the operator.



KDF Box Stand

One of the most popular accessories for semi-automatic packaging lines. The box stand holds case blanks in a convenient position for quick and ergonomic packing.

OPTIONAL MODIFICATIONS

- » Modifications for undersized or oversized cases
- » Enviroguard water resistant options available
- » Gap Flap or other case style modifications
- » Custom voltages
- » 3" Tape head upgrade

OPTIONAL ACCESSORIES

- » Locking casters
- » Infeed/outfeed table or conveyor
- » Accumulation table
- » *Printwiz* security tape printer

CASE SIZE RANGE

	Length	Width	Height
Minimum	8" 203 mm	5" 127 mm	4 1/2" 114 mm
Maximum	unlimited	18" 457 mm	21" 533 mm

Infeed/Outfeed Height (with adjustable foot pads)

Note: Casters add 4" to minimum and maximum height

Minimum	25" (635mm)
Maximum	32" (813mm)

Machine Speed: Up to 30 cases per minute.
Oversize model available. Consult factory for case size ranges.

Specifications are subject to change without notice.

