


3M-Matic™ Adjustable Case Sealer 200a/200a3

Choice of 2" or 3" 3M™ AccuGlide™ 3
Taping Head for higher productivity



Durability for basic sealing

Up to 40 cases per minute

Productivity and performance – bringing it all together in two sturdy, space-saving units for 2" or 3" tape application:

- Gear motor and bottom belt drive shift-after-shift dependability with cases up to 85 pounds
- Dual masts with twin lead screws for greater stability of taping head
- Consistent top and bottom sealing of RSCs with quick, easy adjustments for a wide range of case heights and widths
- Compression rollers to close flaps before taping
- 3M™ AccuGlide™ 3 Taping Head for low impact sealing that protects cases while providing greater throughput
- Side guides adjustable to center cases of various widths for the full length of the unit
- Emergency stop positioned for quick and easy access
- Laced belts with traction grip for reliable feeding and easy replacement

Options shown: Low tape indicator light staff, infeed and exit conveyors, locking casters

Box capacities

Length: 6" to unlimited
(152mm to unlimited)

Width*: 6" to 21.5"
(152mm to 546mm)

Height: 4.75" to 24.5"
(121mm to 622mm)

Weight: 5-85 lbs.
(3-38 kg)

*See back for 200a3 width



Specifications

3M-Matic™ Case Sealer 200a



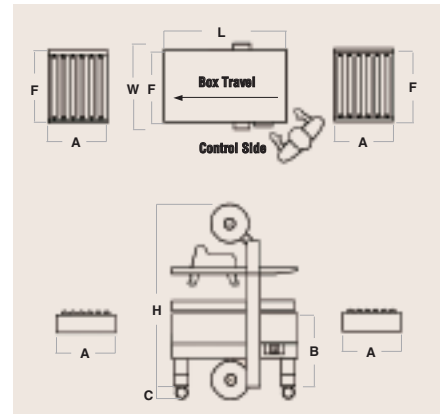
2" Scotch® Box Sealing Tapes

3M-Matic™ Case Sealer 200a3



3" Scotch® Box Sealing Tapes

200a and 200a3 Footprint



Machine	Tape Size Inches (mm)	Machine Weight Lbs. (kg)	Machine Dimensions Inches (mm)							Electrical	Operating Rate	Drive Belt Speed
			W	L	H	A*	B	C***	F			
					Min		Min					
					Max		Max					
				Masts up		Masts up**						
200a	1.5-2 (36-48)	272 (123.4)	31 (787)	36.5 (927)	53 (1346) 86 (2184) 90 (2290)	18 (457)	24 (610) 35 (889)	4 (102)	24.5 (622)	115V 60Hz 1.9A 220 watts 8' cord	Up to 40 per minute depending on box length	100 fpm (0.5 m/s)
200a3	2-3 (48-72)	274 (127.8)										

* Optional infeed/exit conveyors

** 20.5 (520) min, 31 (787) max

*** Optional casters

Use with clean dry boxes in dry, relatively clean environments at 40°F to 120°F (4.4°C to 48.9°C).

Machine	Box Capacities Inches (mm)				Weight Range Lbs. (kg)
	Length Min Max	Width Min Max	Height Min Max	Height Range w/ Masts Raised	
200a	6 (150) Unlimited	6 (150) 21.5 (123.4)	4.75 (120)* 24.5 (625)	6.5 (165) 28.5 (725)	5 (3) 85 (38)
200a3	6 (150) Unlimited	7 (175) 21.5 (123.4)	4.75 (120) 24.5 (625)	6.5 (165) 28.5 (725)	5 (3) 85 (38)

Note: The 3M-Matic™ Adjustable Case Sealer 200a/a3 can accommodate most boxes within the size range listed here.

However, if:

Box Length in Direction of Seal
Box Height
is less than .75

Boxes should be test run to ensure proper machine performance.



Contact your 3M representative for special modifications that may be available for sizes not listed.

* 3.75" (90mm) with taping heads adjusted to apply 2" (50mm) tape leg lengths and mast stops relocated.

Note: This technical information and data should be considered representative or typical only and should not be used for specification purposes.

Product Use: User is responsible for determining whether the product is fit for a particular purpose and suitable for user's method of application.

Warranty and Limited Remedy: THE FOLLOWING WARRANTIES ARE MADE IN LIEU OF ALL OTHER WARRANTIES, EXPRESS OR IMPLIED, INCLUDING, BUT NOT LIMITED TO THE IMPLIED WARRANTY OF MERCHANTABILITY, THE IMPLIED WARRANTY OF FITNESS FOR A PARTICULAR PURPOSE AND ANY IMPLIED WARRANTY ARISING OUT OF A COURSE OF DEALING, A CUSTOM OR USAGE OF TRADE: 3M sells its 3M-Matic™ Case Sealers 200a/200a3 with the following warranties: 1) The Taping Head knife blades, springs and rollers will be free from all defects for ninety (90) days after delivery. 2) All other Taping Head parts will be free from all defects for three (3) years after delivery. 3) All other parts will be free from all defects for two (2) years after delivery. Please refer to individual data pages for additional details and exceptions. If any 3M-warranted part is proved to be defective within its warranty period, then the exclusive remedy and 3M's and seller's sole obligation shall be, at 3M's option, to repair or replace the part, provided the defective part is returned immediately to 3M's factory or an authorized service station designated by 3M. A part will be presumed to have become defective after its warranty period unless the part is received or 3M is notified of the problem no later than five (5) calendar days after the warranty period. If 3M is unable to repair or replace the part within a reasonable time, then 3M, at its option, will replace the equipment or refund the purchase price. 3M shall have no obligation to provide or pay for the labor required to install the repaired or replacement part. 3M shall have no obligation to repair or replace (1) those parts failing due to operator misuse, carelessness, or due to any accidental cause other than equipment failure, or (2) parts failing due to non-lubrication, inadequate cleaning, improper operating environment, improper utilities or operator error. **Limitation of Liability:** 3M and seller shall not be liable for direct, indirect, special, incidental or consequential damages based upon breach of warranty, breach of contract, negligence, strict liability or any other legal theory. The foregoing Warranty and Limited Remedy and Limitation of Liability may be changed only by a written agreement signed by authorized officers of 3M and seller.



Industrial Adhesives and Tapes Division

3M, 3M-Matic and AccuGlide are trademarks of 3M Company.

Scotch® is a registered trademark of 3M Company.

Printed in U.S.A.
© 3M 2008
70-0710-0381-1

shorr | packaging corp.
shorr.com 888.885.0055