

2-EZ[®] HS RH LH

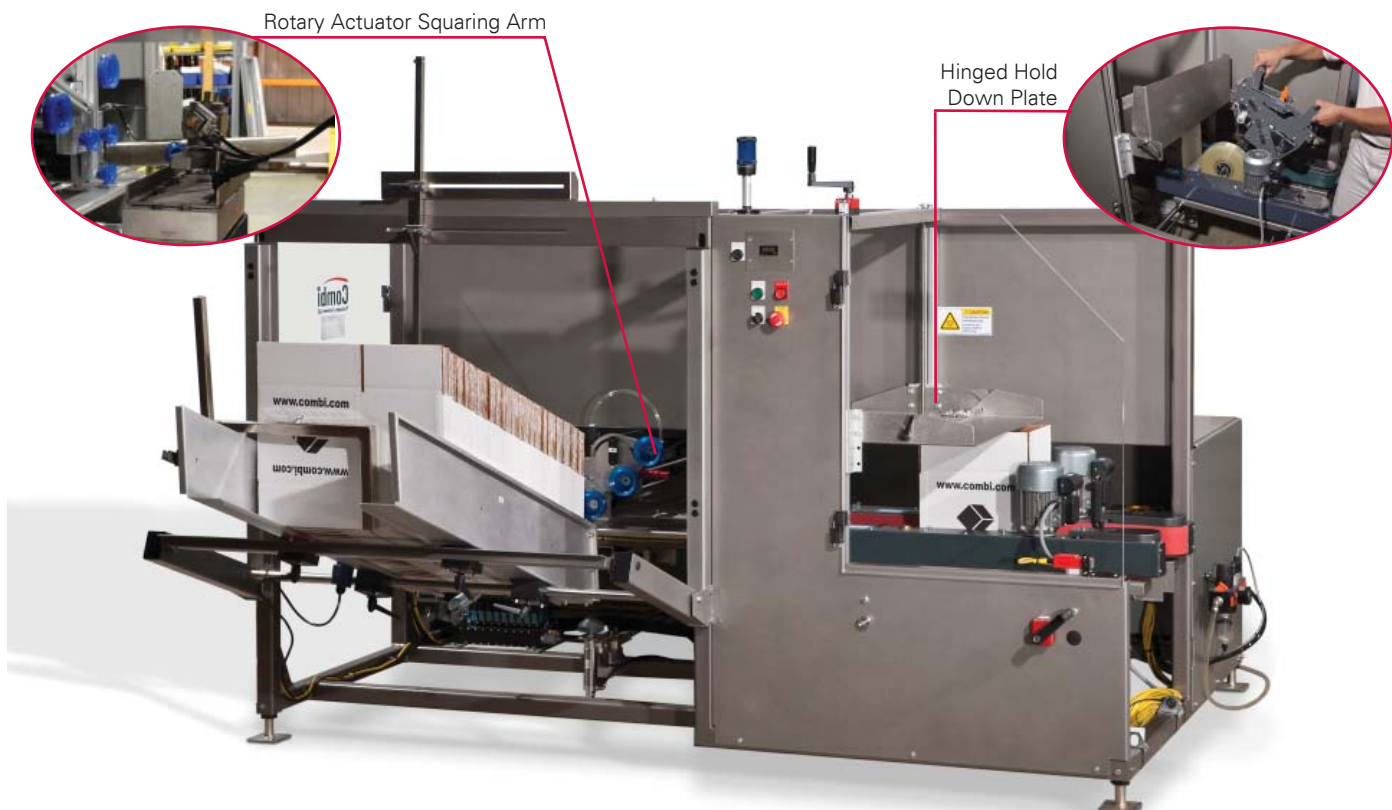


Ambidextrous Case Erector/Bottom Taper

Do you use a variety of corrugated cases with different print orientation? Up until now, in most facilities, these are erected and sealed manually or requires multiple case erectors - one to erect right handed cases and one to erect left handed. Now Combi Packaging Systems LLC provides users the flexibility of owning just one machine that erects both hands, thereby freeing up valuable floor space and requiring a minimal staff to operate and maintain the case erector. This machine is ideal for contract packaging operations and fulfillment centers.

Design Features:

- Opposite hand case modification includes a servo controlled squaring arm mount that self-adjusts through a menu setting on the operator interface
- No overhead cross members in doorways provides easy access for maintenance
- Hinged case hold down plate allows for easy tapehead removal
- Only 5 adjustment points with digital indicators - the tapehead and side belts adjust together
- Positive four flap closing - rotary actuators and a fixed guide close the major flaps, which provides for smooth and gradual closing of the major flaps.
- Self-cleaning vacuum system with vacuum generator consumes conservative amount of air
- Large electrical enclosure allows for future integration of conveyor and other optional equipment



2-EZ[®] HS RHLH

2-EZ[®] HS RH LH Features:

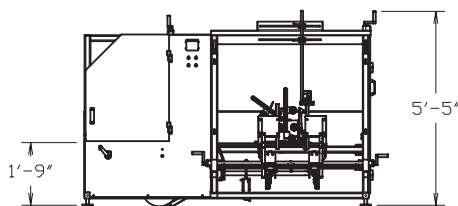
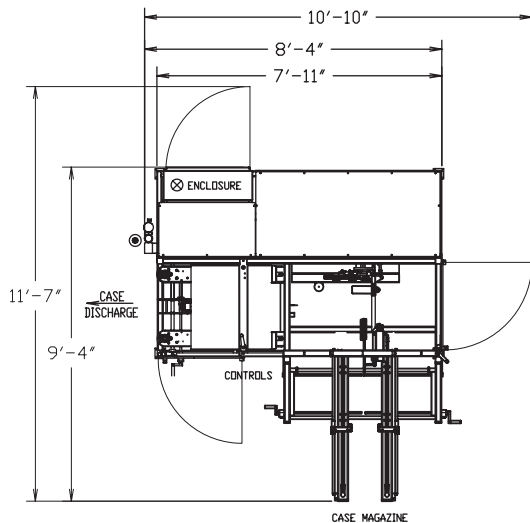
- Up to 30 cases per minute
- EZ Load Walk-In 50" Powered Magazine
- Positive Four Flap Closing
- Heavy Duty Welded Steel Construction
- 3M™ NPH 2" Tape Head
- Servo Driven Carriage Assembly
- Dual Belt Drive Case Indexing
- AB Panelview C400 OIT Provides Enhanced Communication and Expanded Application Capabilities
- AB Micrologix 1400 Series PLC
- Self-Cleaning Vacuum System with Air Purge
- Electrical Service 240V / 3 ph / 20A



Model	Case Size Min (LxWxH)	Case Size Max* (LxWxH)	Speed: CPM
2-EZ [®] HS RH LH	8" x 6" x 5" (203x152x127mm)	24" x 16" x 18" (610x406x457mm)	8-16" Long 30 cpm 17-20" Long 25 cpm 21-24" Long 20 cpm

* Full range requires tool for changeover. Changeovers for length + width < 37" is toolless

Distributed by:



shorr | packaging corp.
shorr.com 888.885.0055



© 2015 Combi Packaging Systems LLC
a joint venture company with 3M and M J Maillis Group