

Lantech[®]

QL-400

Semi-Automatic
Stretch Wrapping System

The First *Intelligent, Intuitive, and Instructional* Semi-Automatic Stretch Wrapper.

Introducing the NEW QL-400!

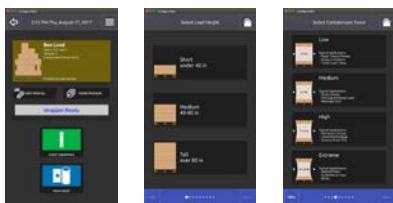
The latest addition to Lantech's LeanWrap[®] series, the QL-400 produces safe-to-ship profiles quickly and easily for any load configuration.



Load Guardian™ is Lantech's proprietary intelligent control system with interactive, highly responsive applications that simplify building wrap profiles. It minimizes the need for operators to physically interact with the machine. Customized settings can be made quickly with Smart Phone - like simplicity.



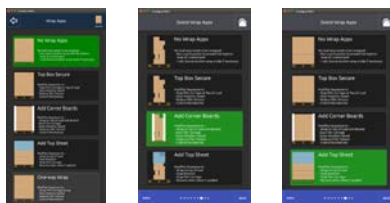
Intelligent Wrap



Intuitively guides an operator through selecting the characteristics of the load. Produces an optimized wrap pattern for safe and cost-effective shipment.



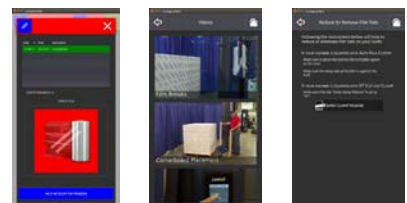
Wrap Apps



It's now easier and safer to place corner boards and top sheets, and secure uneven layers. Operators interact effortlessly with the load.



Help



Provides simple video instruction for countering stretch wrapping problems: film breaks, product crushing, loads twisting, and more.



Robustness

Hundreds of machine improvements based on 25 years of Q machine warranty experience.



Data

Visual and downloadable performance information.



Machine Care

Simple diagnostics and fault tracking that make problem areas visible.

Specifications

Performance

Peak Production Speed	Up to 25-35 loads/hr
Turntable Speed (Variable)	12 RPM
Turntable Drive	1 HP TEFC

Load Handling

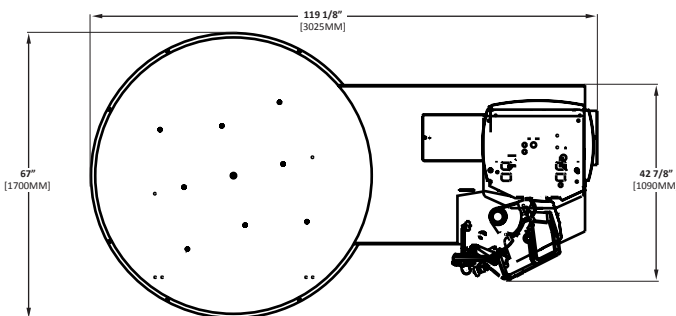
Turntable Size	65" Diameter
Maximum Load Diagonal / Dimensions	72" recommended*
Maximum Load Height	80"
Maximum Load Weight	5000 lbs.

Film Delivery System

Film Delivery System	Power Roller-Stretch PLUS
Standard Pre-Stretch	250%
E-Z Thread Roll Carriage	Standard
Wrapping Force	Variable (Electric)
Film Capacity	10" Roll Diameter
Standard Film Width	20"
Laser Height Sensor	Standard
Auto Film Cut-off	Standard
Pallet Grip®	Standard

Service Requirements

Electric	120VAC, 20A
Pneumatic	N/A
NEMA Type 1 UL Rated	Standard
Wrap Cycle Pause	Standard
One Way Wrap	Standard
Service Support	24 Hrs/7 Days a week
Phone Number	800-866-0322
Warranty	5 years, unlimited cycles



QL-400 Standard Performance Package

- **Pallet Grip®**
Keeps your loads from sliding off pallets during shipment.
- **Auto Film Cut-off™**
Saves 30 seconds of operator labor per load.
- **Power Roller Stretch Plus™**
Maximizes film delivery system performance.
- **Nema Type 1 Enclosure UL Rated**
Protects control system electronics from dust, dirt or moisture.
- **5,000 lb Weight Capacity and 1 HP Turntable Drive Motor.**
- **No Scheduled Preventative Maintenance.**

Options

EZ Weigh® Integrated Scale

Weigh and Wrap in One Easy Step!



Upgrade

UPGRADE to a QL-400XT

Increase Productivity. Keep Your Driver on the Forklift!

